

# Advanced Order Rental Form

PUERTO RICO The Bridge to the Caribbean

## 1. GRID PANELS COLUMN A

FOR DETAILS DRAWING ON BACK OF THIS FORM

QTY	SIZE	Grid #	PRICE EA	AMOUNT
____ (A)	2' x 7'	Grid #VG2A	\$35.00	\$ _____
____ (B)	4' x 7'	Grid VG2A	\$70.00	\$ _____
____ (C)	6' x 7'	Grid #VG2A	\$106.00	\$ _____
____ (D)	8' x 7'	Grid #VG2A	\$140.00	\$ _____
____ (E)	10' x 7'	Grid #VG2A	\$175.00	\$ _____
____ (F)	4' x 7'	Grid #VG2C	\$60.00	\$ _____
____ (G)	6' x 7'	Grid #VG2C	\$90.00	\$ _____
____ (H)	8' x 7'	Grid #VG2C	\$120.00	\$ _____
____ (I)	10' x 7'	Grid #VG2C	\$150.00	\$ _____

## 2. GRID PANELS ACCESSORIES

SHELVES W / BRACKETS

QTY	SIZE	BS1	PRICE EA	AMOUNT
____ (A)	2' x 12"	BS1	\$20.00	\$ _____

LITERATURE

____ (B)	9" x 15"	#VG58	\$10.00	\$ _____
----------	----------	-------	---------	----------

HOOKS FOR GRID PANELS

____ (C)	4" Hooks	#VG47	\$1.00	\$ _____
----------	----------	-------	--------	----------

## 3. LIGHT FIXTURE \$ SPOT LIGTHS

QTY	Spot Light 100 Watts	PRICE EA	AMOUNT
____ (A)	Spot Light 100 Watts	\$15.00	\$ _____
____ (B)	Extensions 15"	\$3.00	\$ _____

## 4. TABLE ( DRAPPED )

QTY	SIZE	PRICE EA	AMOUNT
____ 10	2' x 4'	\$30.00	\$ _____
____ 11	2' X 6'	\$35.00	\$ _____

## 5. CHAIRS

QTY	PRICE EA	AMOUNT	
____ 19-A	Moulded Plastic Heavy Duty	\$17.00	\$ _____

## 6. ACCESORIES

QTY	PRICE EA	AMOUNT	
____ 29	Dolly Rental (1/2 hour)	\$10.00	\$ _____
____ 30	Manpower (1 hour)	\$12.00	\$ _____

Note:

- a) All prices include installation.
- b) This form shall be delivered to the management (10) days before the opening of the exhibition.
- c) Subject to availability.

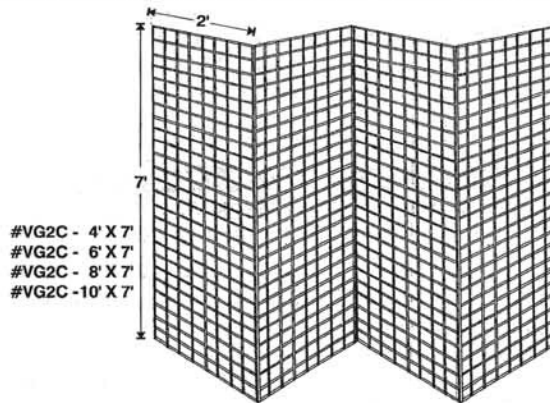
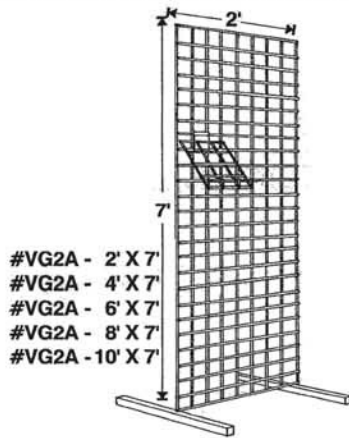
COLUMN B TOTAL \$ \_\_\_\_\_

COLUMN A TOTAL \$ \_\_\_\_\_

GRAND TOTAL \$ \_\_\_\_\_

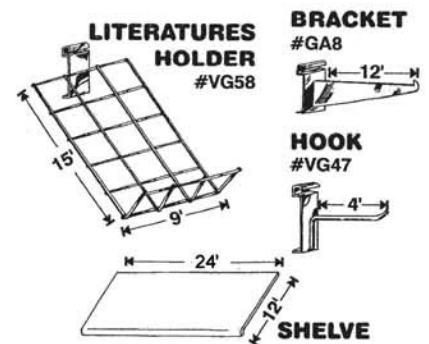
ALL EQUIPMENT AND MATERIAL ARE RENTED AND REMAIN THE PROPERTY OF HARDWARE/HOUSEWARE SHOW CARIBBEAN INC.

## GRID PANELS & ACCESSORIES FOR AGAM AND PIPE & DRAPES BOOTHS



COLUMN A TOTAL \$ \_\_\_\_\_

## ACCESSORIES FOR GRID PANELS



## Payment Terms: Payment in Full at Time of the Order

Contact Person: \_\_\_\_\_

Company Name: \_\_\_\_\_

Address: \_\_\_\_\_

City: \_\_\_\_\_ State: \_\_\_\_\_ Zip Code: \_\_\_\_\_

Phone ( ) \_\_\_\_\_ Fax ( ) \_\_\_\_\_

Master Card \_\_\_\_\_ Visa \_\_\_\_\_

Card # \_\_\_\_\_

Exp. Datre: \_\_\_\_\_

Print Name: \_\_\_\_\_

Signature: \_\_\_\_\_

Date: \_\_\_\_\_ Booth(s) No. \_\_\_\_\_

Mail to: Hardware / Houseware Show Caribbean Inc.  
 URB. PONCE DE LEON #325 CALLE 20 GUAYNABO, P.R. 00969  
 TEL. / FAX: (787) 731-3693 INFO@HARDWARESHOWPR.COM  
[WWW.HARDWARESHOWPR.COM](http://WWW.HARDWARESHOWPR.COM)